

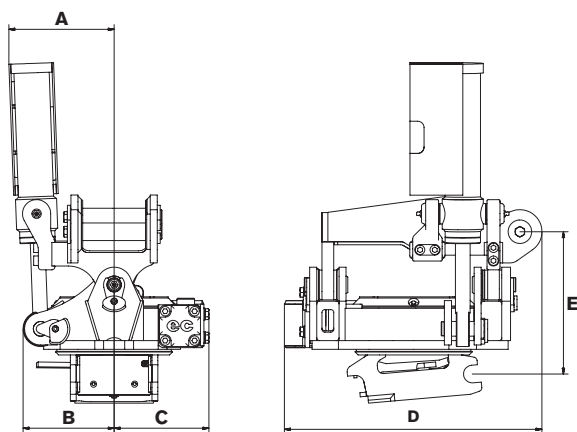
**Discover the EC02 Basic - one of the smallest and most compact tiltrotator on the market, perfect for machines up to 3 tonnes.**

You get unrivalled access and flexibility that only a tiltrotator can provide. Whatever the terrain or working conditions, the EC02 Basic gives you precision and control with unlimited rotation and  $\pm 40^\circ$  tilt.

For those who prefer simplicity, EC02 Basic does not require an advanced control system. It works directly with the excavator's own systems, making installation and operation easier than ever. Mechanical quick coupler included.

If you're not sure what a tiltrotator can do, this is the perfect entry-level model for you. You get all the basic functions and you will notice a difference in your work. A solution that not only simplifies your everyday life, but also gives you more time and productivity in every project.

If you want more features and more freedom, we have other models for machines up to 33 tonnes.



**Specifications**

Type	EC02 Basic
Width A: (mm)*	180
Width B: (mm)*	155
Width C: (mm)*	160
Length overall D: (mm)*	435
Construction height E: (mm)*	from 245
Weight: (kg)*	78
Tilt:	2x40°
Rec. hydraulic flow tilt/rotation: (l/min)	7/20
Max hydraulic pressure: (MPa)	22
Mechanical hitch	S30
Max bucket width rec. by engcon: (mm)	900
Max breakout torque: (kNm)	20
Base machine weight: (t)	1,5-3

*\*Standard attachment*

**CHANGE THE WORLD OF DIGGING**