

Pallet fork

Forklift frame for excavators between 8,800–72,700 lbs (4–33 metric ton)

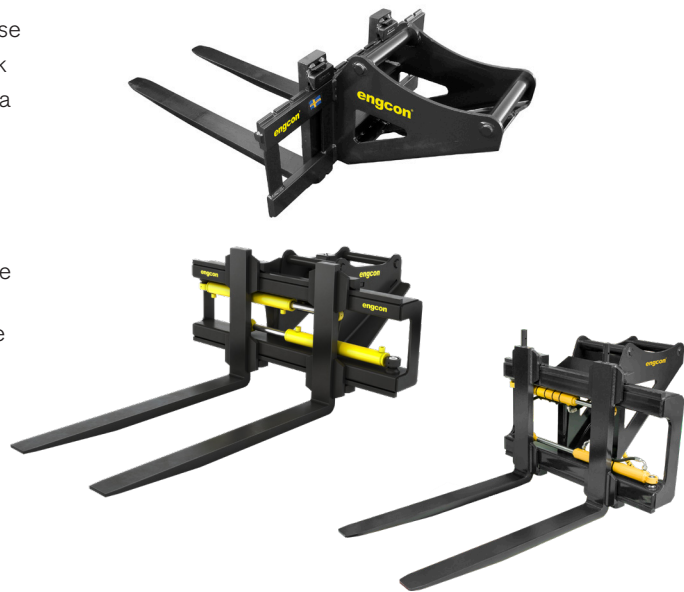


engcon's pallet forks/forklift frames – A robust and cleverly engineered design for best visibility. Tempered forks assure long service life.

NOTE! Always check which safety instructions apply for use of a pallet fork on the type of machine being used. A check valve must be fitted to the tiltrotator if it is to be used with a pallet fork.

engcon and EC233 tiltrotators are fitted with load-holding valves in the tilt cylinders as standard equipment.

- » The EC-Oil automatic Quick Coupler system connects the hydraulics without the operator needing to leave the cab.
- » Operation of hydraulic pallet forks is done from within the cab.
- » Mechanical hydraulic pallet forks are held in the correct position with a robust latch and the position is adjusted manually.
- » Forged forks for maximum durability and service life.



GH = mechanical fork widening,
GHH = hydraulic fork widening
GHH1200L = Hydraulic fork widening,
 Light version for lighter machines.

The EC-Oil automatic Quick Coupler system is a free standard on all engcon's hydraulic tools with S40–S80 attachment points.

Specifications

Model	GH1000	GH1200	GHH1200	GHH1200L	GHH1200L
Width (inch)	39.4	47.2	47.2	47.2	47.2
Blade (inch)	3.9x1.6x47.2	4.9x1.8x47.2	4.9x1.8x47.2	3.9x1.6x47.2	4.9x1.8x47.2
Weight (lbs)*	396	770	880	572	689
TP500 (lbs)	6,393	11,023	11,023	6,393	10,361
Base machine weight (lbs)	8,800–72,700	8,800–72,700	8,800–72,700	8,800–72,700	8,800–72,700

* Depending on bracket

CHANGE THE WORLD OF DIGGING

engcon Canada Inc | 3220 Av. Jacques-Bureau, Laval QC H7P 0A9

E-mail canada@engcon.com | Web engcon.com