

Tiltrotator EC209

For 13,200–19,800 lbs excavators (6–9 metric ton)

A compact, powerful tiltrotator with low weight for excavators up to 19,800 lbs. If EC209 is selected with engcon's standard Quick Coupler S45 and the DC2 proportional control system, EC-Oil automatic Quick Coupler system is offered as a free standard.** This means that the tiltrotator and hydraulic tools can be connected & disconnected without the operator needing to leave the cab.

Comes with hose, quick couplings, and electrical installation kit for one machine.

Features:

- » The EC-Oil automatic Quick Coupler system connects the tiltrotator & hydraulic tools without the operator needing to leave the cab.
- » Q-Safe quick coupler for maximum safety
- » Comes ready for detachable grabber GRD (S45)
- » Comes ready for rotating brush SWD (S45)
- » Comes ready for the QSC locking system to avoid improperly connected or dropped buckets
- » Comes ready for a rotation sensor (ePS) for connection to the excavator guidance system
- » Central lubrication (a single grease point for the entire tiltrotator; can also be connected to the excavator's central lubrication system)
- » Load-holding valves on tilt cylinders for maximum safety
- » Hardened piston rods
- » Up to ± 45 -degree tilt angle for best access
- » Rotation ∞

Quick coupler: S45 comes standard.

Control system: DC2 proportional control system comes standard for outstanding variable control and includes remote support capability, track / wheel steering, and boom slew. Custom control systems also available.

Electrical system: Can be adapted to 12V or 24V electrical systems.

Accessories: GRD detachable grabber cassette*, SWD rotating brush*.

* Read more about GRD and SWD at engcon.com

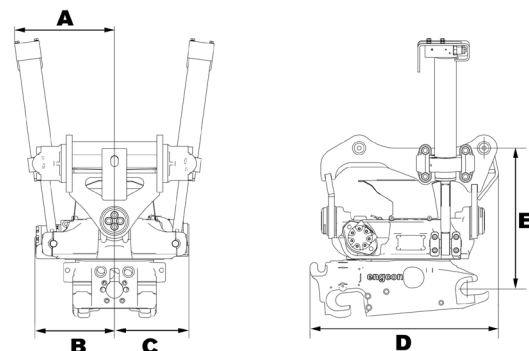
** Read more about the terms and conditions regarding EC-Oil automatic Quick Coupler system as a free standard at engcon.com



Specifications

Model	EC209
Width A (inches)*:	10.9
Width B (inches)*:	9.8
Width C (inches)*:	10.7
Total length D (inches)*:	22.1
Construction height E (inches)*:	from 16.7
Weight (lbs)*:	631.4
Tilt range:	2x45°
Rec. hydraulic flow DC2 & SS10 (gpm):	15.9
Rec. hydraulic flow SS9 tilt/rotation (gpm):	9.2/10.6
Max hydraulic pressure (psi):	3,200
Standard mountings:	S45
Max bucket width rec. by engcon (inches):	51.2
Max torque (lbf):	54,580
Base machine weight min/max (lbs):	13,200–19,800

*Standard attachment



CHANGE THE WORLD OF DIGGING