

# Tiltrotator EC233

## Suitable for all excavators in the 24–33 tonne weight class

One of the market's most powerful tiltrotators adapted for excavators up to 33 tons. If the EC233 is selected with engcon's standard quick hitch S80 and the DC2 proportional control system, EC-Oil is offered an automatic quick hitch system as a FREE standard\*\* This means that tiltrotator and hydraulic tools can be connected & disconnected without the operator needing to leave the cab.

Comes supplied with hose, quick couplings and electrical installation equipment for one machine.

### Advantages:

- » The EC-Oil automatic quick hitch system connects the tiltrotator & hydraulic tools without the operator needing to leave the cab\*\*
- » Q-Safe quick hitch for maximum safety
- » Comes ready for the QSC locking system to avoid wrongly connected or dropped buckets
- » Comes ready for a rotation sensor (ePS) for connection to the excavator guidance system
- » Central lubrication (a single grease point for the entire tiltrotator; can also be connected to the excavator's central lubrication system)
- » Load-holding valves on tilt cylinders for maximum safety
- » Hardened piston rods
- » Up to  $\pm 45^\circ$  tilt angle for best access
- » Rotation  $\infty$

**Quick hitch:** Standard – S70, S80.

**Control system:** Standard – DC2 proportional control system for infinitely variable control with remote support capability, track/wheel steering and boom slew. For other purposes, we can deliver custom control systems.

**Electrical system:** Can be adapted for 12 or 24 volt electrical systems.

**Accessory:** Integrated gripper, GRD detachable gripper cassette\*

\* Read more about the GRD at [engcon.com](http://engcon.com)

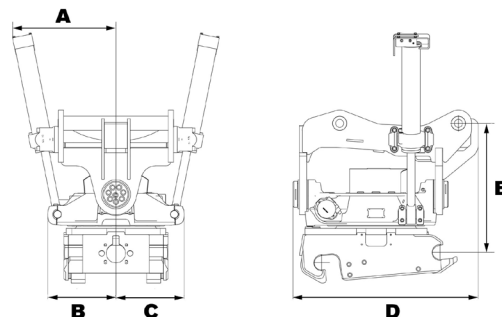
\*\* Read more about the terms and conditions concerning the EC-Oil automatic quick hitch system as a free standard at [engcon.com](http://engcon.com)



### Specifications

Type	EC233
Width A: (mm)*	501
Width B: (mm)*	385
Width C: (mm)*	385
Length overall D: (mm)*	878
Construction height E: (mm)*	from 673
Weight: (kg)*	812
Tilt:	2x45°
Rec. hydraulic flow DC2/SS10 (l/min):	120
Rec. hydraulic flow SS9 tilt/rotation: (l/min):	70/70
Max hydraulic pressure: (MPa)	25
Quick hitch standard:	S70, S80
Max bucket width rec. by Engcon: (mm)	2,200
Max breakout torque: (kNm)	340
Base machine weight: (t)	24–33

\*Standard attachment



## CHANGE THE WORLD OF DIGGING