

Tiltrotator EC204

Suitable for all excavators in the 2–4 tonne weight class

EC204, optimized for 2–4 ton excavators and can be fitted with integrated grab or extra hydraulic functionality.

The EC204 has a tilt angle of 45 degrees and can be fitted with engcon's proportional control system DC2, for stepless control with the highest precision and remote support via the mobile network.

The tiltrotator: Are supplied with hose, quick couplings and electrical installation for one machine. Top attachment point can be adapted to most machines.

- » Rotation ∞
- » ± 45° tilt
- » Complies with European safety standards
- » Extra outlet as standard equipment, or double extra outlets (does not apply to models with grabs)

Quick hitch: We offer most types of hitches available on the market.

Control system: Choose between several different control systems based on your machine's characteristics. The EC204 can usefully be fitted with Engcon's DC2 proportional control system for infinitely variable high precision control and remote support via the cell phone network.

Electrical system: Standard 12-volt.

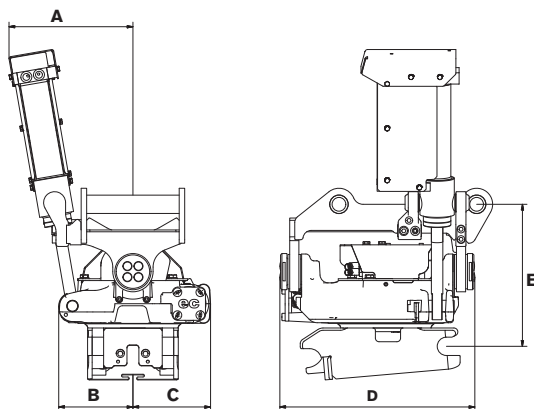
Accessory: Integrated gripper.



Specifications

Type	EC204
Width A: (mm)*	267
Width B: (mm)*	161
Width C: (mm)*	169
Length overall D: (mm)*	463
Construction height E: (mm)*	from 310
Weight: (kg)*	116
Tilt:	2×45°
Rec. hydraulic flow DC2/SS10 (l/min):	30
Rec. hydraulic flow SS9 tilt/rotation: (l/min):	10/25
Max hydraulic pressure: (MPa)	22
Quick hitch standard:	S40
Max bucket width rec. by engcon: (mm)	1,000
Max breakout torque: (kNm)	28
Base machine weight: (t)	2–4

*Standard attachment



CHANGE THE WORLD OF DIGGING