

Tiltrotator EC204

engcon®

Discover the new EC204 - now better than ever

Meet the EC204, a groundbreaking tiltrotator for excavators in the 2-4 tonne weight class. With a 45-degree tilt angle, infinite rotation and the possibility to mount a detachable grapple or detachable sweeper, it offers outstanding performance and versatility in your work. The new EC204 is also prepared for EC-Oil both above and below the tiltrotator.

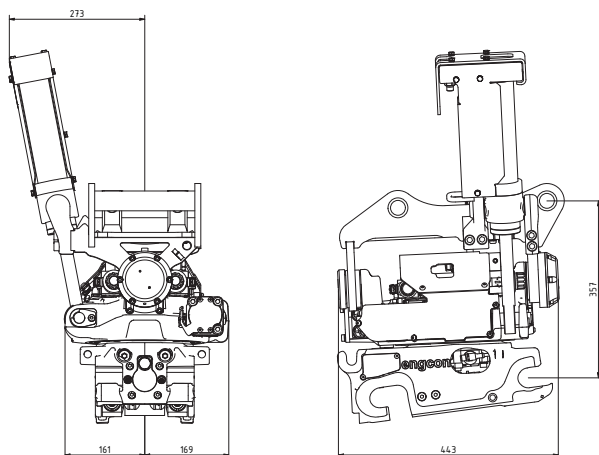
Innovation and functionality in focus

Designed with the same safety and functionality as our larger models, the EC204 includes features such as tilt angle and rotation sensors and centralized lubrication.

Choose attachments like the detachable grapple or detachable sweeper to tailor your tiltrotator to your needs.

Precision and compatibility

Increase your precision by choosing our DC2 proportional control system, which offers stepless control and remote support via mobile network. Also compatible with ss9 and ss0. (DC3 compatibility coming soon)



Specifications

Type	EC204
Width A: (mm)*	267
Width B: (mm)*	161
Width C: (mm)*	169
Length overall D: (mm)*	463
Construction height E: (mm)*	från 310
Weight: (kg)*	129
Tilt:	2×45°
Rec. hydraulic flow DC2/SS10 (l/min):	30
Rec. hydraulic flow SS9 tilt/rotation: (l/min):	10/25
Max hydraulic pressure: (MPa)	22
Quick hitch standard:	S40
Max bucket width rec. by engcon: (mm)	1 000
Max breakout torque: (kNm)	28
Base machine weight: (t)	2-4

* Standard attachment

CHANGE THE WORLD OF DIGGING

engcon International | Box 111, SE-833 22 Strömsund, Sweden
Phone +46 670 178 00 | E-mail international@engcon.com | Web engcon.com